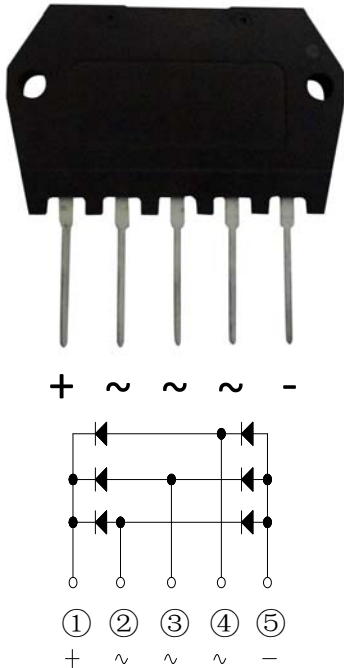


Three Phase Bridge Rectifiers



Features

- UL recognition, file #E230084
- Glass passivated chip junction
- Thin single in-line package
- High surge current capability
- Solder dip 275 °C max. 7 s, per JESD 22-B106

Typical Applications

General purpose use in AC/DC bridge full wave rectification for switching power supply, home appliances, office equipment, industrial automation applications.

Mechanical Data

- **Package:** TSB-5
Molding compound meets UL 94 V-0 flammability rating, RoHS-compliant
- **Terminals:** Tin plated leads, solderable per J-STD-002 and JESD22-B102
- **Polarity:** As marked on body

■ Maximum Ratings (Ta=25°C Unless otherwise specified)

PARAMETER	SYMBOL	UNIT	DF25NA80	DF25NA100	DF25NA120	DF25NA160
Device marking code			DF25NA80	DF25NA100	DF25NA120	DF25NA160
Maximum Repetitive Peak Reverse Voltage	VRRM	V	800	1000	1200	1600
Maximum RMS Voltage	VRMS	V	560	700	840	1120
Maximum DC blocking Voltage	VDC	V	800	1000	1200	1600
Average Rectified Output Current @8.3ms, sine wave, R-load, With heatsink, Tc =115°C	IO	A	25			
Forward Surge Current (Non-repetitive) @8.3ms, Half-sine wave, 1 cycle, Tj=25°C	IFSM	A	400			
Forward Surge Current (Non-repetitive) @1ms, square wave, 1 cycle, Tj=25°C			800			
Current Squared Time @1ms≤t<8.3ms Tj=25°C, Rating of per diode	I ² t	A ² S	664			
Dielectric strength @terminals to case, AC 1 minute	Vdis	KV	2.5			
Mounting torque @recommend torque: 5kg·cm	Tor	kg·cm	8			
Storage Temperature	Tstg	°C	-55 ~ +150			
Junction Temperature	Tj	°C	-55 ~ +150			



DF25NA80 THRU DF25NA160

■ Electrical Characteristics (T_a=25°C Unless otherwise specified)

PARAMETER	SYMBOL	UNIT	TEST CONDITIONS	DF25NA80	DF25NA100	DF25NA120	DF25NA160
Maximum instantaneous forward voltage drop per diode	V _F	V	I _{FM} =12.5A	1.1			
Maximum DC reverse current at rated DC blocking voltage per diode	I _R	μA	T _j =25°C	5			
			T _j =125°C	500			
Typical junction capacitance	C _j	pF	Measured at 1MHz and Applied Reverse Voltage of 4.0 V.D.C	230		240	

■ Thermal Characteristics (T_a=25°C Unless otherwise specified)

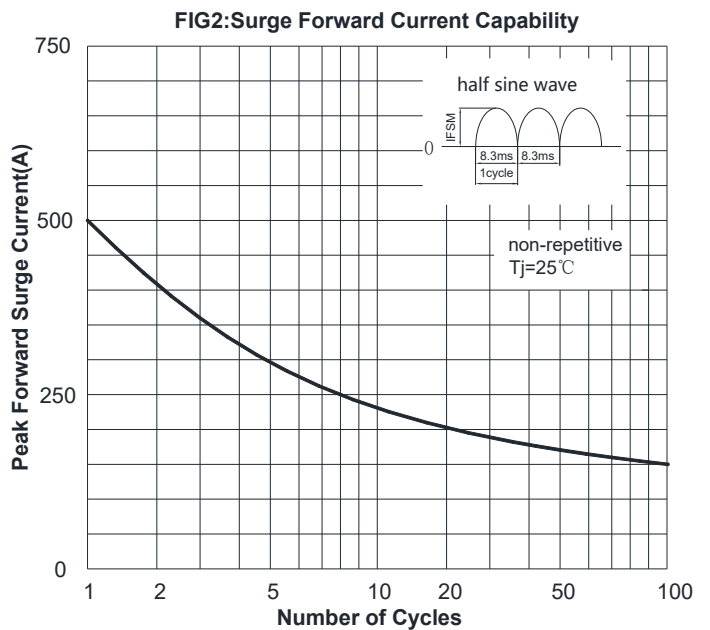
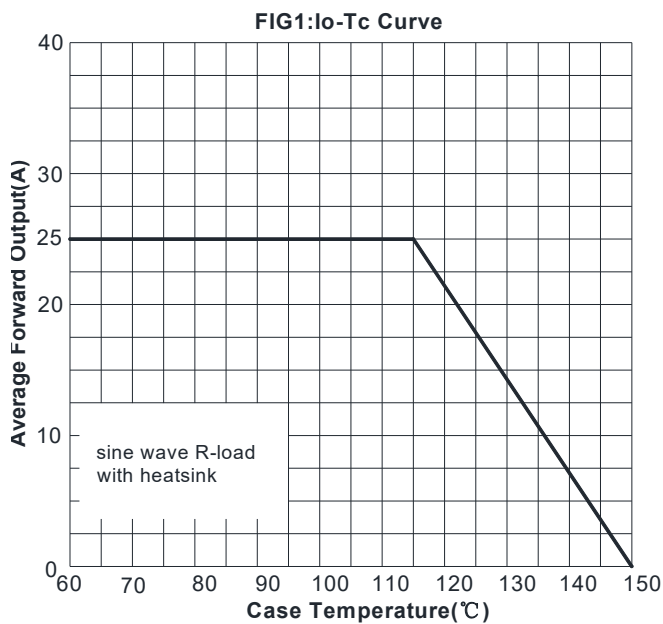
PARAMETER	SYMBOL	UNIT	DF25NA80	DF25NA100	DF25NA120	DF25NA160
Thermal Resistance Between junction and case, With heatsink	R _{θJ-C}	°C/W	1.2			

Note: Device mounted on 75mm x 45mm x 5.5mm Aluminum Plate Heatsink.

■ Ordering Information (Example)

PREFERRED P/N	UNIT WEIGHT(g)	MINIMUM PACKAGE(pcs)	INNER BOX QUANTITY(pcs)	OUTER CARTON QUANTITY(pcs)	DELIVERY MODE
DF25NA80 ~ DF25NA160	Approximate 15.8	96	96	576	Paper Box

■ Characteristics(Typical)





DF25NA80 THRU DF25NA160

FIG3: Typical Forward Voltage

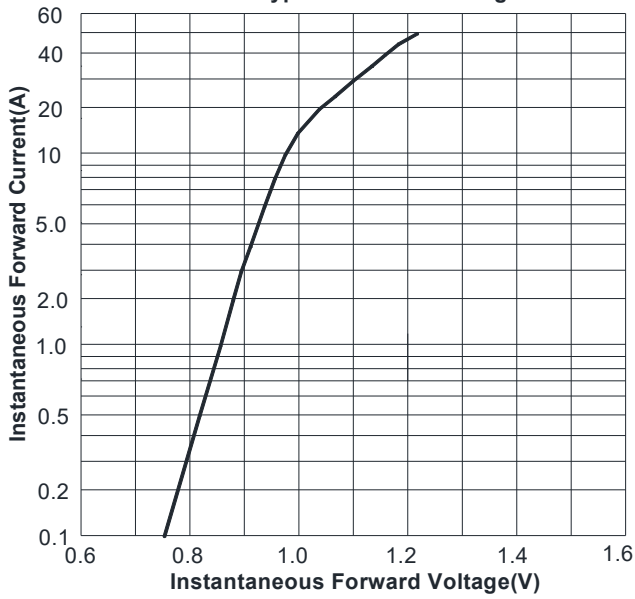
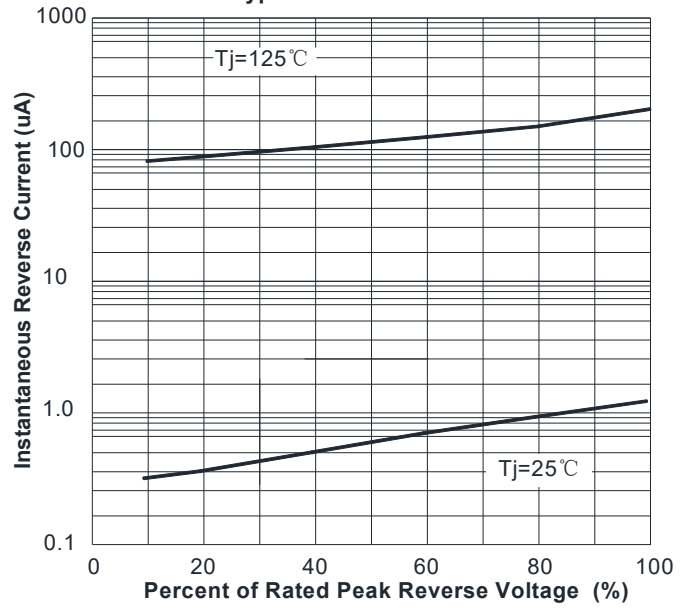
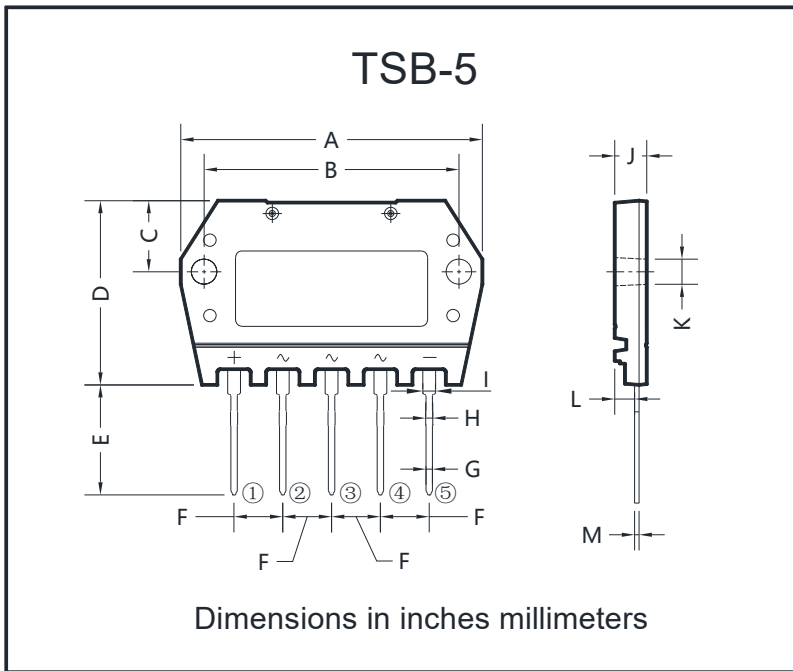


FIG4: Typical Reverse Characteristics



■ Outline Dimensions



TSB-5		
Dim	Min	Max
A	46.6	47.6
B	39.5	40.1
C	11.0	11.6
D	28.8	29.8
E	17.2	17.8
F	7.52	7.72
G	0.90	1.10
H	1.00	1.20
I	1.90	2.10
J	4.70	5.30
K	4.00	4.50
L	3.00	3.20
M	0.60	0.80



Disclaimer

The information presented in this document is for reference only. Yangzhou Yangjie Electronic Technology Co., Ltd. reserves the right to make changes without notice for the specification of the products displayed herein to improve reliability, function or design or otherwise.

The product listed herein is designed to be used with ordinary electronic equipment or devices, and not designed to be used with equipment or devices which require high level of reliability and the malfunction of which would directly endanger human life (such as medical instruments, transportation equipment, aerospace machinery, nuclear-reactor controllers, fuel controllers and other safety devices), Yangjie or anyone on its behalf, assumes no responsibility or liability for any damages resulting from such improper use of sale.

This publication supersedes & replaces all information previously supplied. For additional information, please visit our website [http:// www.21yangjie.com](http://www.21yangjie.com) , or consult your nearest Yangjie's sales office for further assistance.